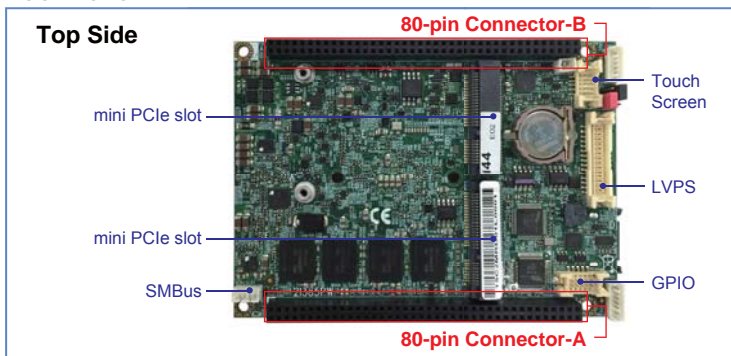




21385PW Series

Back Panel



- Intel® Bay Trail-I E3825 / E3845 CPU, Pico-ITX SBC, On Board DDR3L Memory, LVDS, VGA, HDMI, 2 x GbE, 2 x Full-size Mini PCIe, 1 x PCIe, 6 x USB, 4 x COM

Features

- Embedded Intel® Bay Trail-I E3825 / E3845 CPU / chipset
- On Board 2 / 4G DDR3L, VGA, HDMI, 24 / 48-bit LVDS, HD Audio, 4 x COM, DI / O
- 2 x Intel GbE LAN, 1 x USB 3.0/2.0, 5 x USB 2.0
- 2 x Mini PCIe, 1 x PCIe, Touch Screen, SMBus

Specification:

MODEL	21385PW		
CPU Type	Intel Bay Trail-I E3825 1.33 GHz (Dual core) Intel Bay Trail-I E3845 1.91GHz (Quad core)		
MB Chipset	Intel Bay Trail-I E3825 / E3845 chipset		
BIOS	Insyde UEFI BIOS		
Graphics	Intel's 7th generation (Gen 7) graphics and media encode / decode engine, Supports DX*11, OpenGL 3.0 (OGL 3.0), OpenCL 1.2 (OCL 1.2), OpenGLES 2.0		
System Memory	On Board 2G / 4G DDR3L ; 1066 MHz for E3825, 1333 MHz for E3845		
LVDS	Supports 24 / 48 bits / 2 channel LVDS up to 1920 x 1080 resolution.		
Touch Screen	COM interface Touch Screen controller		
SATA	1 x SATA ports 2.0 Data transfer rates up to 3.0 Gb/s (300 MB/s)-optional with mSATA of MPCE2 1 x mini card socket for mSATA ; (MPCE 1)		
DIO & WDT	Hardware digital Input & Output, 4 x DI / 4 x DO Hardware Watch Dog Timer, 0~255 sec programmable		
Audio	High Definition Audio Specification, Support Line-out / Mic-in / Line-in		
Audio Amplifier	Two channel Class D Audio Amplifier ; 2.57W / Ch (Typ.) into a 4ΩLoad, 1.46 W / Ch (Typ.) into a 8ΩLoad		
Expansion Interface	1 x Full size Mini card for Auto detect PCIe & mSATA and USB interface 1 x Full size PCIe Mini card for mSATA		
	PICO Express® 80-pin connector A	COM: 3 x RS232 or RS422 or RS485 USB: 4 x USB 2.0, 1 x USB 3.0 PS2: KB / MS	Expansion: 1 x PCIe LED: HDD or LAN or Power LED Switch: Power / Reset
	PICO Express® 80-pin connector B	Power: Wide Range DC-IN +9~36V Display: 1 x HDMI & 1 x VGA USB: 2 x USB 2.0	Audio: Line-out / Mic-in COM: 1 x RS232 or RS422 or RS485 LAN: 2 x Intel 10 / 100 / 1000 Mbps
Dimension	102 x 73 mm (Pico-ITX)		
Operation Temperature	-20°C ~ 70°C		
Operation Humidity	5 ~ 95%, non-condensing		